

© 2013 Essentra Components. All rights reserved.  
 Registered in England, Company No. 547495.  
 Registered Office: Essentra plc  
 Langford Locks, Kidlington, Oxford, OX5 1HX

Condition of Sale can be found on our website: [essentra.com](http://essentra.com).

Essentra Components does not warrant that the files will be error free and may create new versions ("Upgrades") at any time, which may correct such errors. Essentra Components has no obligation to notify you of such upgrades. Any upgraded file will be published to the website, when it becomes available.

You are not permitted to load any of the files on to a network server for the purposes of distribution to one or more other computer(s) on that network or to effect such distribution. Essentra Components shall not be liable for any loss or damage whatsoever or however caused, arising directly or indirectly from the use of the files.

**UNCONTROLLED COPY**

STATUS **APPROVED DRAWING**

**UNLESS OTHERWISE STATED**

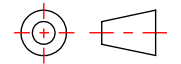
ALL DIMENSIONS IN mm

DO NOT SCALE

LINEAR TOLERANCE

THIRD ANGLE PROJECTION

SIZE	(0)	(0.0)	(0.00)
0-10	±0.5	±0.15	±0.10
>10-30	±0.5	±0.20	±0.15
>30-50	±0.5	±0.30	±0.20
>50-100	±0.8	±0.50	±0.25
>100-200	±1.5	±0.80	±0.40
>200-300	±2.0	±1.20	±0.80
>300-500	±3.0	±2.00	±1.00
>500	±5.0	±3.00	±1.50

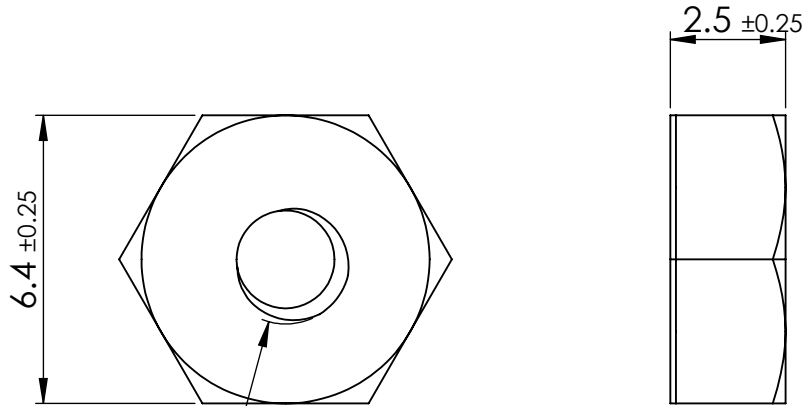


ANGULAR TOLERANCE ±0.5 DEGREES  
 UNSPECIFIED RADII 0.25mm  
 DRAFT ANGLE 0.5 DEGREES  
 DIMENSIONS IN PARENTHESIS ( )  
 ARE FOR REFERENCE ONLY

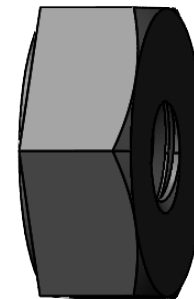
ITEM CODE	20462284	CREATE DATE	20/03/2025
LEGACY CODE	0700440LNB	MATERIAL	PA66
		COLOUR	BLACK
		FINISH	-

TITLE:  
 LOCK NUT  
 -

DWG. No.	20462284	SCALE	6:1	ISSUE	2
		SHEET	1 of 2		



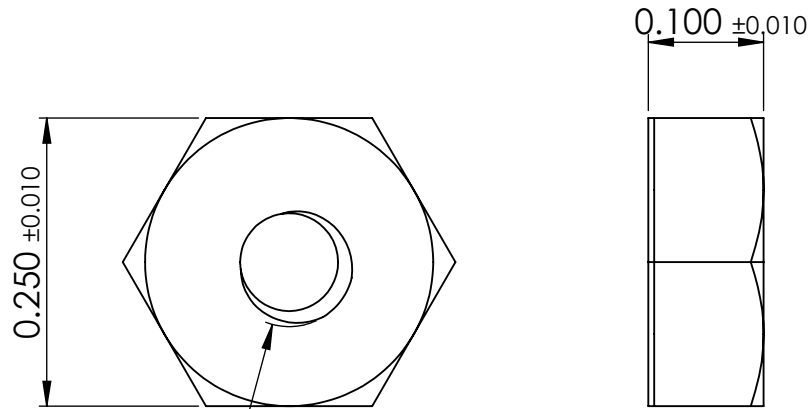
4-40 LOCKING THREADS



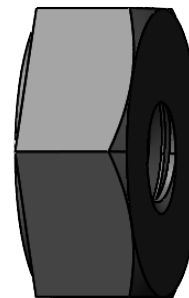
Essentra Components does not warrant that the files will be error free and may create new versions ("Upgrades") at any time, which may correct such errors. Essentra Components has no obligation to notify you of such upgrades. Any upgraded file will be published to the website, when it becomes available.

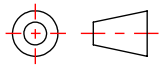
You are not permitted to load any of the files on to a network server for the purposes of distribution to one or more other computer(s) on that network or to effect such distribution. Essentra Components shall not be liable for any loss or damage whatsoever or however caused, arising directly or indirectly from the use of the files.

**UNCONTROLLED COPY**



4-40 LOCKING THREADS



STATUS		<b>APPROVED DRAWING</b>	
<b>UNLESS OTHERWISE STATED</b>			
ALL DIMENSIONS IN <b>inches</b>		DO NOT SCALE	
<b>LINEAR TOLERANCE</b>		THIRD ANGLE PROJECTION	
SIZE	(0.00) (0.000) (0.0000)		
0 - 0.394	±0.020 ±0.006 ±0.004	ANGULAR TOLERANCE ±0.5 DEGREES	
>0.394 - 1.181	±0.020 ±0.008 ±0.006	UNSPECIFIED RADIUS 0.25mm	
>1.181 - 1.969	±0.020 ±0.012 ±0.008	DRAFT ANGLE 0.5 DEGREES	
>1.969 - 3.937	±0.031 ±0.020 ±0.010	DIMENSIONS IN PARENTHESIS ( ) ARE FOR REFERENCE ONLY	
>3.937 - 7.874	±0.059 ±0.031 ±0.016		
>7.874 - 11.811	±0.079 ±0.047 ±0.031		
>11.811 - 19.685	±0.118 ±0.079 ±0.039		
>19.685	±0.197 ±0.118 ±0.059		
ITEM CODE	20462284	CREATE DATE	20/03/2025
LEGACY CODE	0700440LNB	MATERIAL	PA66
		COLOUR	BLACK
		FINISH	-
TITLE: LOCK NUT -			
DWG. No.	20462284	SCALE	ISSUE
		6:1	2
		SHEET	2 of 2